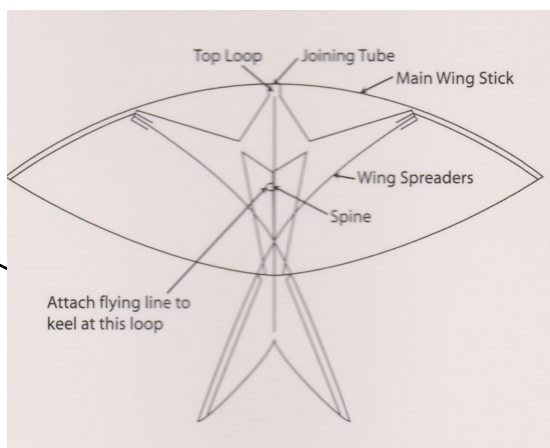


Hawk Kite Sales
9800 Giants Head Road
Summerland, BC V0H 1Z7
250-404-0318

sales@hawkkite.ca



Economy HAWK-KITE + Fibreglass Pole Instructions

PACKAGE CONTAINS: Hawk-Kite; Glass-fibre Telescopic Pole; Flying Line & Support Stake.

Unfold the kite and lay it on a flat surface with the keel side facing down. Identify the main wing stick and assemble its two pieces inside the top loop. Insert the wing spreaders into their pockets. Insert the spine. Turn the kite over and thread the flying line split ring through the keel loop.

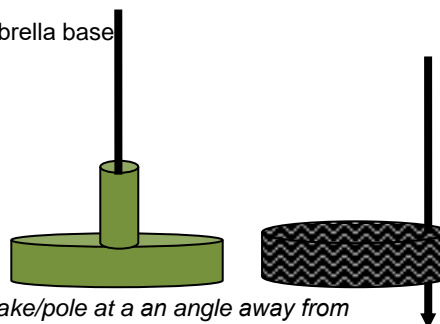
1. Take pole; pull out rubber plug and extend each section, giving a little twist to secure in place, then place the pole on the ground.
2. Clip the other end of the flying line to the metal tip on the end of the pole.
- 3.. Secure the support stake in the ground or to a solid structure, so that at least 2/3rds of the stake is exposed for the pole to slip over.
4. Unscrew the hard plastic cap on the bottom of the pole, and slip the pole over the support stake. Shorten the length of the flying line if required. We use a Palomar knot.

WHY YOU MUST ALWAYS USE THE SUPPORT STAKE TO SUPPORT THE POLE!

The solid Support Stake is very strong, but also flexible enough to protect the pole from the shock effect of sudden gusts during winds. If you just strap the pole to a solid object such as a fence post or chimney breast (very tempting) the pole will always break sooner or later in a gale - even without a kite attached, though its lightweight enough to be deployed from a high place, such as a roof or chimney e.g.

If you do not use the support stake with the pole, you will NOT be entitled to a refund or replacement if damage to any part should occur as a consequence.

* If you are operating on concrete, a rooftop, or decking, a steel umbrella base or an old tyre + heavy brick can be used as a base. It can be re-positioned as necessary (See Picture). Make sure it is the Support Stake that you put into the parasol base or tyre, not the pole. The Support Stake can be made wider to fit the parasol base with gaffer tape or pipe insulation. If you want to use a railing or fence-post as a support, then tape or strap the lower 1/3rd of the Support Stake to the railing. Then slip the pole over the top 2/3rd of the Support Stake and secure the Pole.



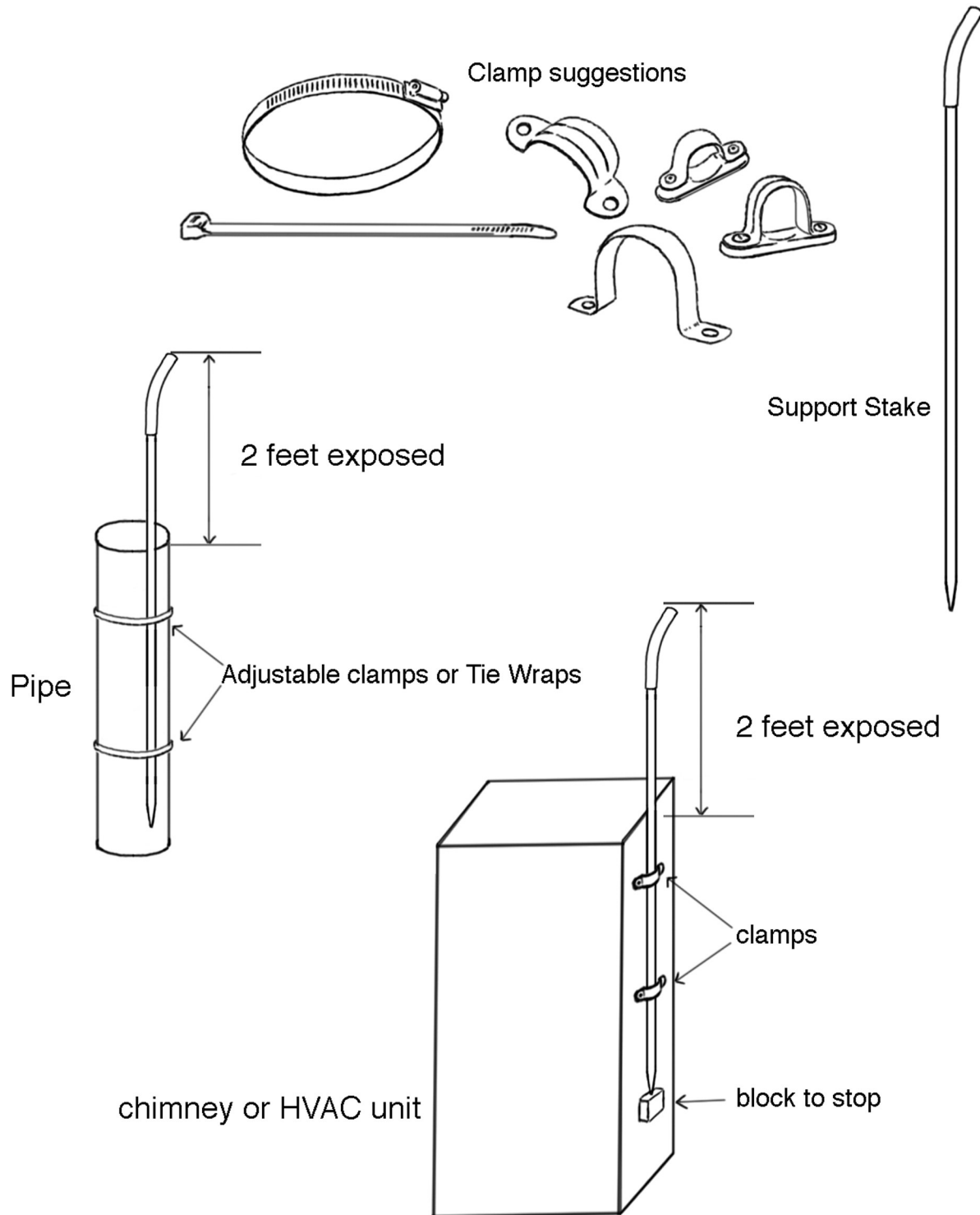
If you find the kite wraps around the pole, try angling the support stake/pole at a an angle away from prevailing winds.

SAFETY INSTRUCTIONS

Read and obey all these safety instructions before use.

- This Hawk-Kite is not a toy and is not intended for use by children.
- Obey all local, state or federal laws relating to flying balloons in your area.
- If possible never put up a Hawk-Kite during electrical storms as it may conduct lightning down the line. If the Hawk-Kite is up during an electrical storm do not go near it until the storm is over.
- Ensure that no power-lines, telephone wires, trees, obstructions, animals or people can come near the Hawk-Kite or Pole anywhere it could possibly fly. Consider changes in wind direction! Keep well away from power lines as these are inspected regularly by helicopters. Do not fly near crop-sprayers or any low flying aircraft.
- Kite and pole should not be used in winds greater than 40kmph(25mph)
In the North America do not fly within 5 miles of an airfield without air traffic permission.
Maximum height allowed is 60 metres in Britain. IN Canada and USA, users should check their local kite flying regulations.
- Wear gloves when handling the line to avoid it cutting hands.

Support Stake Roof Mounting Suggestions



If possible place the support stake at a slight angle away from the prevailing wind direction. The kite is then less likely to tangle in the pole when there is no wind. Hawk kites may sustain damage in winds greater than 25mph. U-clamps available from Hawk Kite Sales.